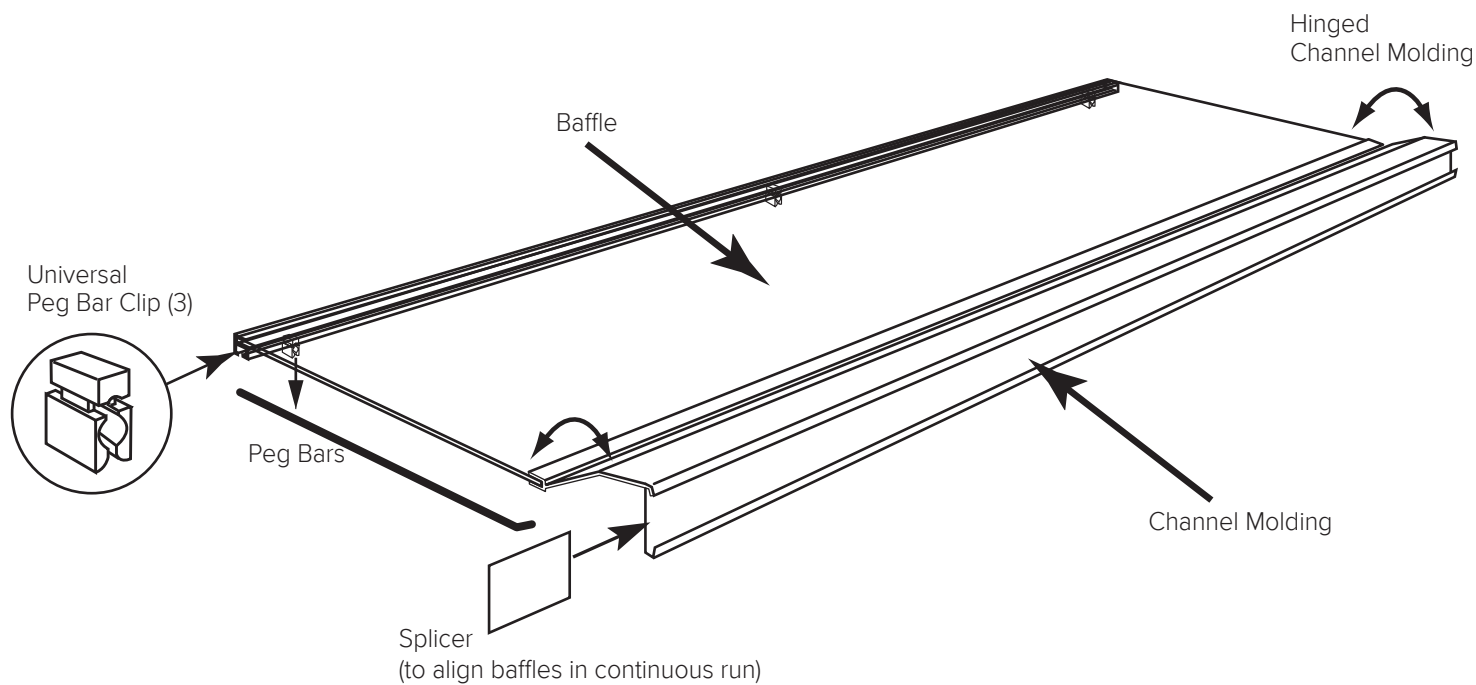




- ① Slide 3 “Universal Peg Bar Clips” into track at rear of baffle.
- ② Place baffle in case on top of peg bars.
- ③ Snap clips onto peg bars at each end and in the middle.
- ④ Load product.



20190515